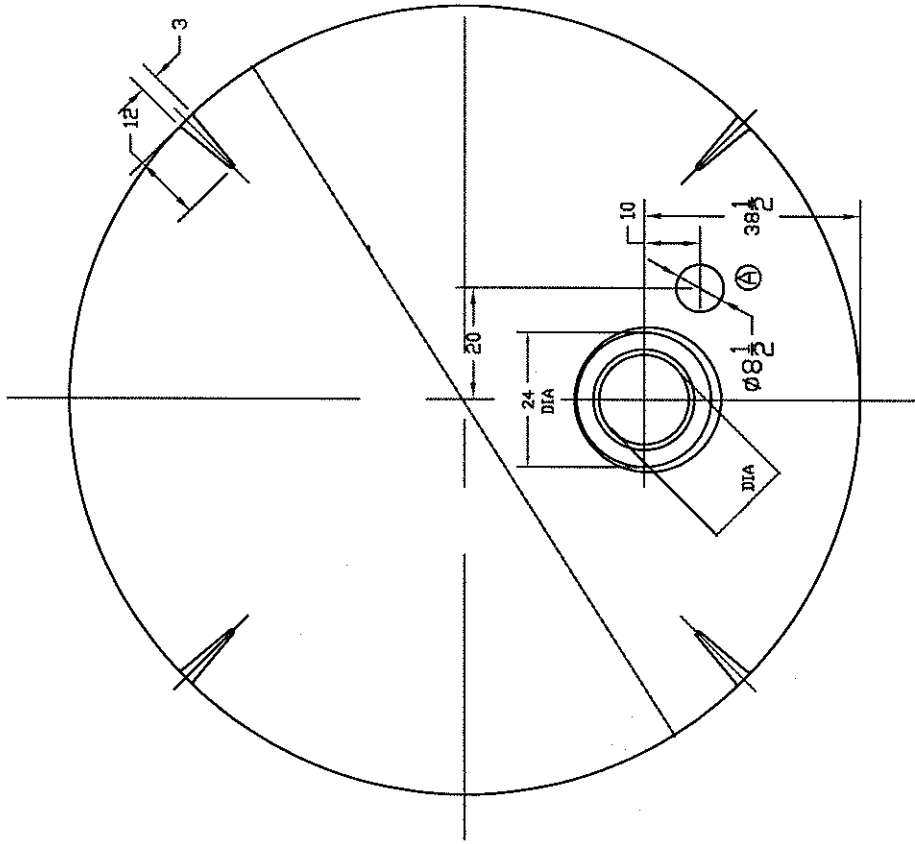
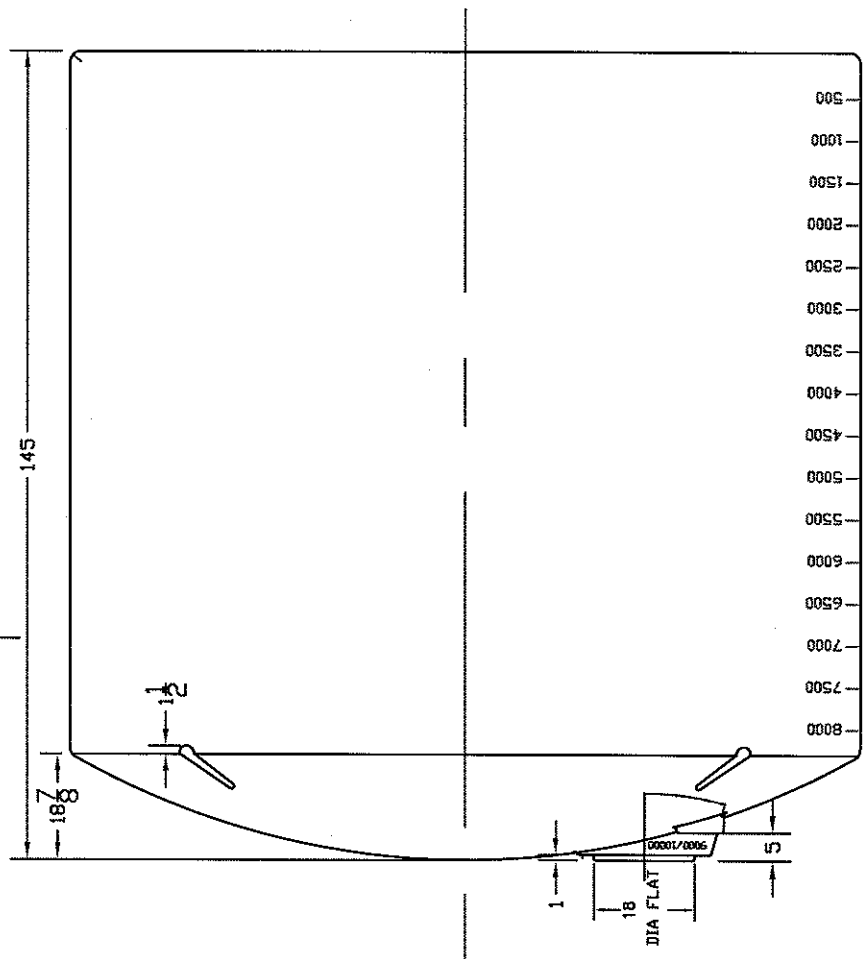


REVISIONS			
ZONE	REV	DESCRIPTION	DATE
	A	ADDED FLAT	15MAR06
			APPROVED



NORWESCO ST. BONIFACIUS, MN		SIZE	DWG NO.	REV
9000 GALLON VERTICAL TANK		B		
JTP 12APR01		SCALE	1/24	SHEET

ST BONIFACIUS